

REVERSIBLE LINEAR ACTUATOR WITH SPRING RETURN FOR VVZ - VB2 - VM2 VALVES



CEQ ... Eng.

- Power supply : 230 V~ or 24 V~ ; IP 54 protection
- Three-wire electric control with spring return
- Direct mounting on valve with self-adaptation to run
- Manual operation



1. APPLICATION

CEQ ... actuator is designed to operate, with reversible linear movement and with spring-return closure, VVZ... , VB 2.. and VM 2.. seat valves used in heating and air-handling plants with fluid temperature of 1...130 °C.
Model CEQ 07.. (closure with spindle pointing down) suitable for VB 2.. and VM 2.. valves.
Model CEQ U07.. (closure with spindle pointing upwards) suitable for VVZ ... valves.

2. OPERATION

CEQ ... actuators can be controlled by an On-Off or modulating device (thermostat, manual switch, modulating controller). The three-wire electric signal (common – opens – closes) powers a small synchronous reversible electric motor with double windings, the rotary movement of which is converted into linear movement by a mechanism that permits a maximum run of 5.5 mm.

The run is limited by two miniature switches operated automatically, by means of springs, when the valve plug strikes against one of its seats. This system ensures that the actuator is always able to exert its nominal force on the valve spindle thereby permitting installation without the need for calibrating the run.

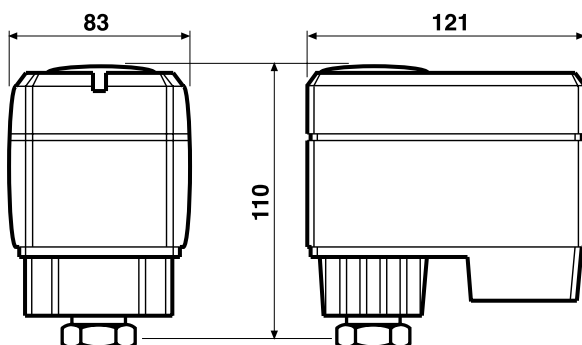
In the absence of power the actuator, with its return spring, ensures the closure of the valve (CEQ 07.. : spindle down; CEQ U07.. : spindle up).

By removing the cover, and using a 6 mm hexagonal spanner, the valve can be operated manually.

3. MODELS

| Code | Power supply V~ (VA) | Spring return | Max run mm | Speed s/mm | Run time max | Force Nm | Valve (up to DN) | | |
|-----------------|-------------------------|------------------|---------------|---------------|-----------------|-------------|------------------|-----|-----|
| | | | | | | | VVZ | VB2 | VM2 |
| CEQ 078 | 230 (7) | Down | 5.5 | 14 | 77 | 300 | – | 20 | 25 |
| CEQ 074 | 24 (7) | Down | 5.5 | 14 | 77 | 300 | – | 20 | 25 |
| CEQ U078 | 230 (7) | Up | 5.5 | 14 | 77 | 300 | 20 (3/4") | – | – |
| CEQ U074 | 24 (7) | Up | 5.5 | 14 | 77 | 300 | 20 (3/4") | – | – |

5. OVERALL DIMENSIONS

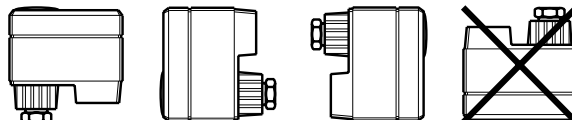


4. TECHNICAL DATA

| | |
|-------------------------|-------------------------|
| Power supply : | 230 V~ ±10% |
| – CEQ ..8 | 24 V~ ±10% |
| – CEQ ..4 | 50...60 Hz |
| Frequency | 7 VA |
| Consumption | IP 54 |
| Protection | 3-wire electric |
| Control | 5.5 mm |
| Maximum run | 77 s |
| Time for 5.5 mm run | 300 Nm |
| Force | 1...130 °C |
| Fluid temperature valve | Ambient temperature : |
| | – operation |
| | – storage and transport |
| Weight | 0...55 °C |
| | –40...70 °C |
| | 0.8 kg |

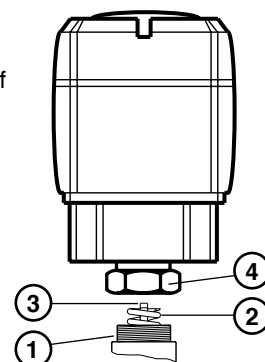
6. INSTALLATION

- Avoid mounting with actuator under the valve.

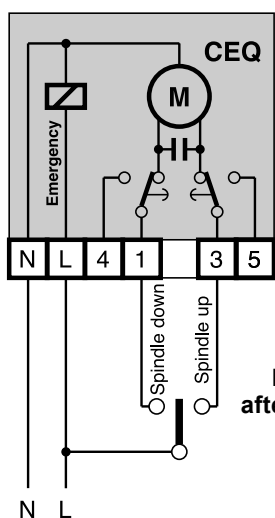


- Screw the coupling nut on the actuator (4) on the thread of the valve.
- Screw up the nut and tighten.
- Carry out the electric wiring according to the wiring diagram and in strict observance of current safety regulations.

- 1 – Thread on valve for coupling with actuator
- 2 – Spring return for closure valve
- 3 – Valve spindle
- 4 – Screwed nut for valve coupling (32 mm spanner)



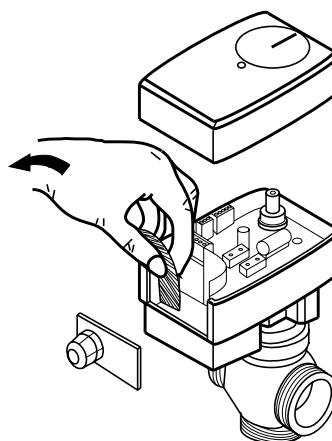
7. WIRING DIAGRAM



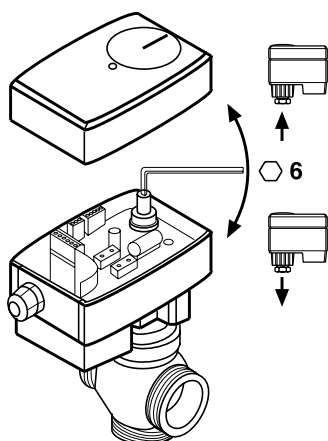
Power the actuator only after mounting it on the valve

Models CEQ 078 and CEQ 074 :

After having mounted the actuator on the valve and before carrying out the wiring extract the protective tab.



8. MANUAL OPERATION



MC 29.02.02 Rev. : LB 21.01.03 ; LB 15.05.03 ; MZ 22.03.05



Head Office & Sales
 Via San G.B. De La Salle, 4/a Tel. +39 022722121
 20132 - Milan Fax +39 022593645

Reg. Off. Central & Southern
 Via S. Longanesi, 14 Tel. +39 065573330
 00146 - Roma Fax +39 065566517

Orders and Shipping
 Via Gen. Treboldi, 190/192 Tel. +39 0364773200
 25048 - Edolo (BS) Tel. +39 0364773202
 Fax +39 0364770016

E-mail: info@coster.info Web: www.coster.info



D 33129

