

RUBBER-SHEATHED CONVERSION CABLES FOR RS232 GENERAL & LOW POWER

ACS - ACB 232 ../S1 Eng.



ACS 232



ACB 232 - 232/S1

- Direct connection between RS 232 & Modem (ACS 232)
- Conversion line RS 232/C-BUS at low power (ACB)
- C-BUS output from cables is "Master" type
- Connection to max. 5 devices with C-BUS interface (ACB 232 e ACB 232/S1)



1. APPLICATION

The conversion cables are used on sites where the devices installed are provided with C-BUS or RS 232 communication.

By using these cables and connecting them to the C-BUS and RS232 outputs, the operator, using a PC, can access all the data contained in the instrumentation on the site.

2. FUNCTIONS

The main functions of the rubber-sheathed cables are those of permitting the readout and, if required, the adjustment of the data stored in COSTER controllers installed on HVAC sites; without necessarily having to access the instrumentation directly.

The readout and adjustment of the data can take place in two ways:

- By means of a local PC, i.e. near the instrumentation, with ACB 232 cables directly; or with ACS 232 or ACB 232/S1 provided with the appropriate adapters.
- Using a local MODEM together with ACS 232 or ACB 232/S1 cable it is possible to carry out all the operations remotely using a MODEM and a remote PC.

3. MODELS

Code	Description
ACS 232	Rubber-sheathed cable with 3 wires at one end and a DB 9 connector at the other, for connecting RS 232 (MODEM)
ACB 232	Low-power RS 232/C-BUS convertor cable (only for PC, from which power obtained directly).
ACB 232/S1	Low-power RS 232/C-BUS convertor cable (for MODEM or PC; power from COSTER device or from outside power supply)

4. ACCESSORIES

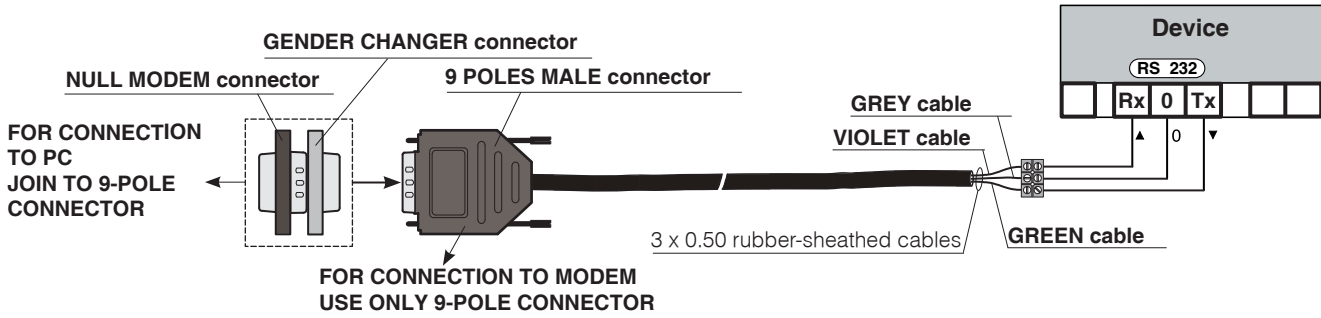
Code	Description
KIT RS 232	Handy kit: rubber-sheathed cables and connectors for RS 232

5. TECHNICAL DATA

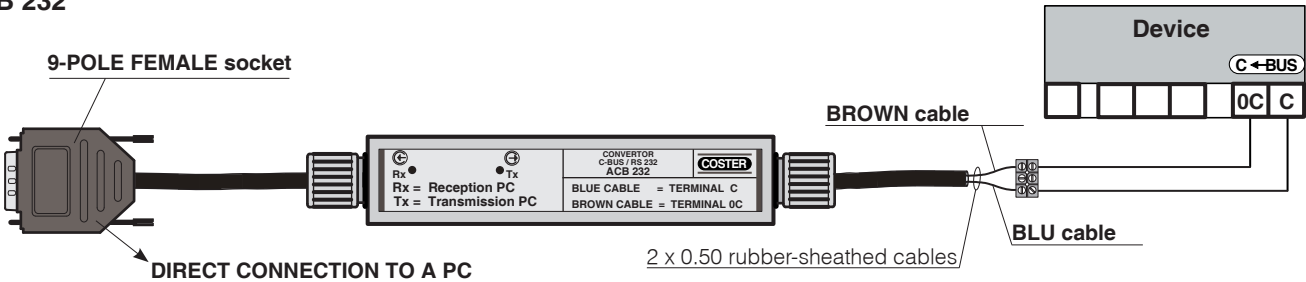
<ul style="list-style-type: none"> • ACS 232 	<ul style="list-style-type: none"> Rubber-sheathed cable: total length 500 mm (50 cm) diameter 5 mm² number & cross-section wires 3 x 0,50 mm² connector DB 9 male installation multi-use 	<ul style="list-style-type: none"> Construction standards Italian Electrotech. Committee (CEI) Protection IP 40 Weight 120 g
<ul style="list-style-type: none"> • ACB 232 	<ul style="list-style-type: none"> Rubber-sheathed cable: total length 150 cm (1,5 mt.) circa diameter 5 mm² number & cross-section wires 2 x 0,50 mm² socket 9 pole female power supply direct from PC Communication speed 1200 to 9600 Baud Enclosure electronic module: material ABS dimensions 95 x 23 x 30 mm Ambient temperature: <ul style="list-style-type: none"> operating 0 ... 45 °C storage - 25 ... + 60 °C Ambient humidity Class F DIN 40040 	<ul style="list-style-type: none"> • ACB 232/S1
		<ul style="list-style-type: none"> Rubber-sheathed cable: total length about 150 cm (1,5 m) diameter 5 mm² number & cross-section wires 3 x 0,50 mm² socket 9 pole male Power supply: <ul style="list-style-type: none"> from controller if enabled 12 V dc or external power supply 12 V dc 50 mA min. Communication speed 1200 to 9600 baud Enclosure electronic module: Material ABS Dimensions 95 x 23 x 30 mm Ambient temperature: <ul style="list-style-type: none"> operating 0 ... 45 °C storage - 25 ... + 60 °C Ambient humidity Class F DIN 40040 Construction standards Italian Electrotech. Committee (CEI) Protection IP 40 Weight 120 g

6. DESCRIPTIONS & ELECTRICAL CONNECTIONS

ACS 232

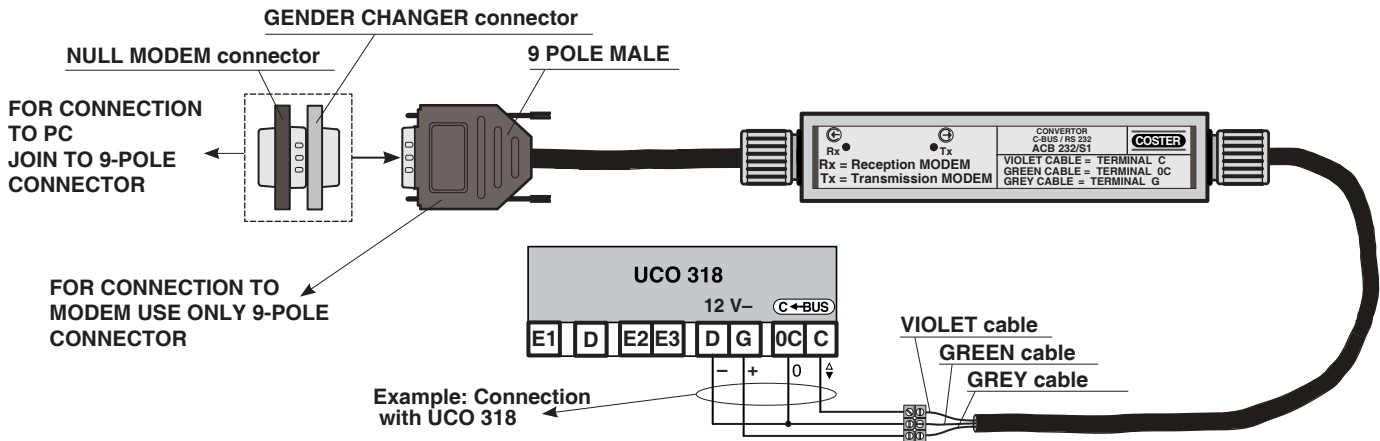


ACB 232

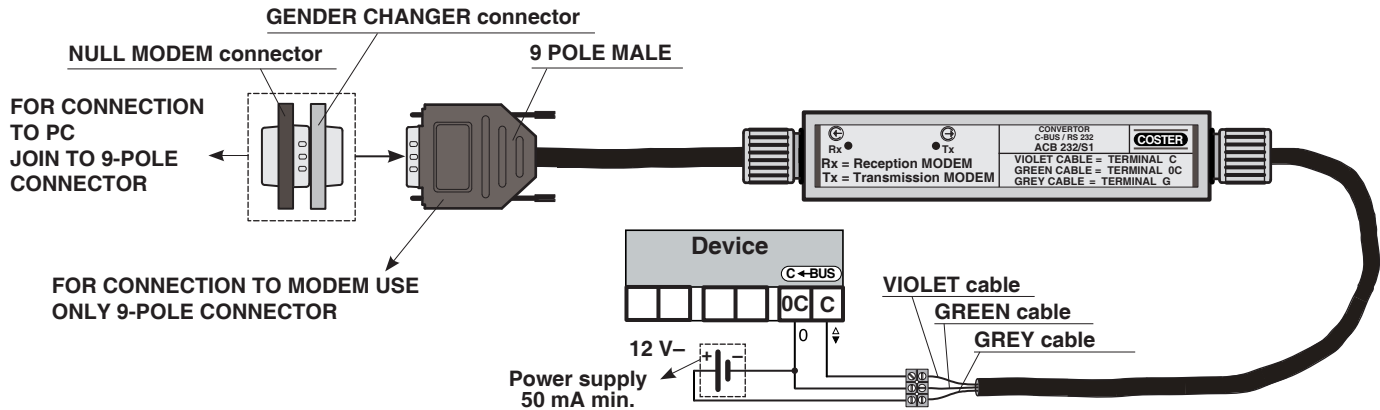


ACB 232/S1

Power to converter from electronic device



Power supply converter from external power supply (50 mA min.)



Head Office & Sales
 Via San G.B. De La Salle, 4/a Tel. +39 022722121
 20132 - Milano Fax +39 022593645
 Orders Fax +39 0227221239
 Reg. Off. Central & Southern
 Via S. Longanesi, 14 Tel. +39 065573330
 00146 - Roma Fax +39 065566517
 Shipping
 Via Gen. Treboldi, 190/192 Tel. +39 0364773200
 25048 - Edolo (BS) Tel. +39 0364773202
 E-mail: info@coster.eu Web: www.coster.eu



D 33341