

# AMBIENT TEMPERATURE & RELATIVE HUMIDITY DETECTOR

## SAU 012 Eng.



- Active humidity detector 0...10 V-
- Passive temperature detector NTC 10 kΩ
- Wall mounting



### 1. APPLICATION

SAU 012 is designed to monitor ambient temperature and relative humidity

### 2. TECHNICAL DATA

Temperature detector:				
type	passive NTC 10 kΩ	Protection		IP 30
range	0...40 °C	Dimensions		80 x 80 x 26 mm
time constant	1 min.	Mounting		wall
Humidity sensor:		Construction standards		Italian Electrotech. Comm. (CEI)
type	active 0...10 V -	Materials:		
range	20...80 %	base		NYLON
accuracy	5 %	cover		ABS
time constant	3 min.	Weight		70 g

### 3. INSTALLATION

SAU 012 must be installed at a height of 1.5...1.6 meters from the floor, on an internal wall, at a point which represents the average humidity and temperature. It must be as far as possible from windows, doors and other sources of heat and corners and curtains must be avoided.

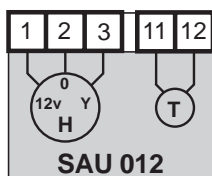
- Separate cover from base by releasing the securing clip.
- Fix the base to the wall or to the junction box using the holes provided.
- Carry out the wiring strictly according to the diagram (4) and in observance of the safety regulations in force, using cables of 1.5 mm<sup>2</sup>.
- Replace cover on base and close carefully until they click together

**Warning:**

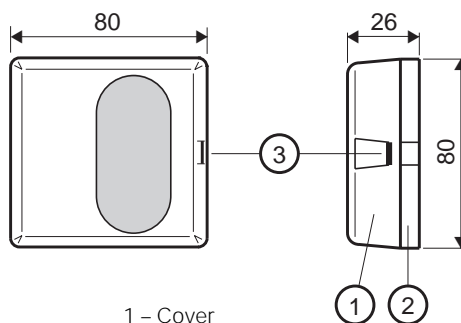
If the detector is mounted on a junction box it may happen that the detector is cooled by cold air coming from the tubes protecting the electric cables. In this event it is necessary to insulate thermally the back of the base.

*You are advised not to insert more than two cables in a single terminal of the detector and if necessary to make use of external junction boxes*

### 4. WIRING DIAGRAM

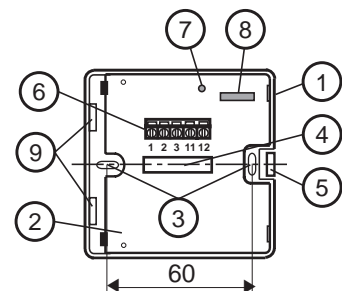


### 5. OVERALL DIMENSIONS



- 1 - Cover
- 2 - Base
- 3 - Cover securing clip

### 6. BASE



- 1 - Base
- 2 - Printed circuit
- 3 - Holes for fixing screws
- 4 - Hole for cables
- 5 - Cover securing clip
- 6 - Terminal block
- 7 - Temperature detector
- 8 - Humidity detector
- 9 - Hinge elements



20132 Milan	Head Office & Sales
Via San G.B. De La Salle, 4/a	Tel. +39.02.2722121 (TI) Tel. +39.02.45476193 (FW) Fax +39.02.2593645
00146 Rome	Reg. Off. Central & Southern
Viale G. Marconi, 437	Tel. +39.06.5573330 Fax +39.06.5566517
25048 Edolo (BS)	Orders and Shipping
Via Gen. Treboldi 190/192	Tel. +39.0364.7732.00/02 Fax +39.0364.770016
Web: <a href="http://www.coster.info">www.coster.info</a>	E-mail: <a href="mailto:info@coster.info">info@coster.info</a>



D 33106