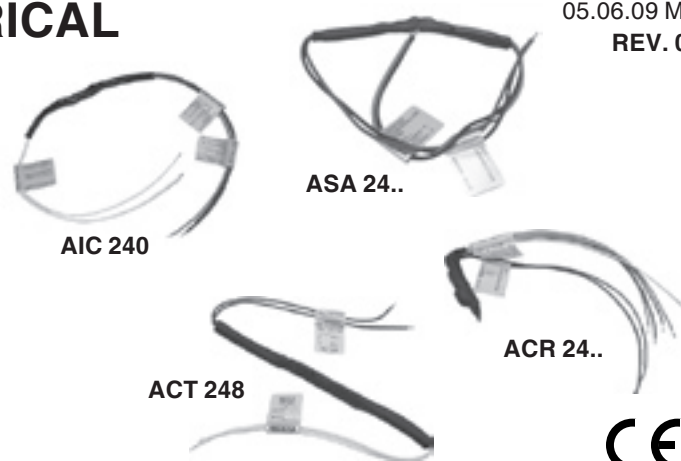


ACCESSORIES FOR ELECTRICAL CONNECTION (GENERAL)

AIC - ASA - ACT - ACR Eng.

- **Installation:**
– on electrical control panels
- **Temperature range:**
– operating temperature 0...45°C
- **Protection:**
– same as that of the panel in which inserted
- **Connecting cables:**
– pre-assembled



1. APPLICATION

This range of convertors are used to change the status of the various switched signals to allow the signals to be used in a variety of different functions. The table in section 2 gives the details of each conversion.

2. MODELS AVAILABLE

Code	Description
AIC 240	Invert the operational status of a switch (general)
ASA 241	Convert a 24 V~ or 12 V- switched signal into an optoisolated output (volt free)
ASA 248	Convert a 230 V~ switched signal into optoisolated output (volt free)
ACT 248	Convert a 24 V~ power supply into 1 logical triac with maximum flow 230 V~ 10 W
ACR 245	Convert a 24 V ~ power supply into 1 SPDT switch 5 (1) A rated
ACR 242	Convert a 24 V~ power supply into 2 SPDT switches 24 V~ 1 A rated

3. TECHNICAL DATA

• AIC 240

Connecting cables:
 Number and cross-section 5 x 0.75 mm²
 Length 250 mm (25 cm)
 White/white to window switch
 Black/blue/red to controller
 Components protected with Heatshrink Sleeve
 Temperature:
 Operation 0...45 °C
 Storage - 25...+ 60 °C
 Humidity Class F DIN 40040
 Installation on electric panels
 IP protection the same as panel on which installed

Connection cables:
 Number and cross-section 4 x 0.75 mm²
 Length 250 mm (25 cm)
 White/white input voltage
 Blue/blue output voltage
 Temperature:
 Operation 0...45 °C
 Storage - 25...+ 60 °C
 Humidity Class F DIN 40040

• ASA 24..

Input voltage:
 ASA 241 24 V~ or 12 V~
 ASA 248 230 V~
 Output control optoisolated
 Connection cables:
 Number and cross-section 4 x 0.75 mm²
 Length 250 mm (25 cm)
 Brown/blue input voltage
 Red/black output control
 Components protected with Heatshrink Sleeve
 Temperature:
 Operation 0...45 °C
 Storage - 25...+ 60 °C
 Humidity Class F DIN 40040
 Installation in electrical control panels
 IP protection: the same as panel in which mounted

• ACR 24..

Input voltage 24 V~
 Type of output:
 ACR 245 1 SPDT switch
 ACR 242 2 SPDT switches
 Current rating switches:
 ACR 245 max. 5 (1) A
 ACR 242 max. 24 V~ 1A
 ACR 245 connection cables:
 Number & cross-section 5 x 0.50 mm²
 Length 200 mm (20 cm)
 Brown/blue input voltage
 Orange/white/green switch
 ACR 242 connection cables:
 Number & cross-section 8 x 0.50 mm²
 Length 250 mm (25 cm)
 Brown/blue input voltage
 Orange/white/green 1st switch
 Red/grey/pink 2nd switch
 Components protected with Heatshrink Sleeve
 Temperature:
 Operation 0...45 °C
 Storage - 25...+ 60 °C
 Humidity Class F DIN 40040
 Installation in electrical control panels
 IP Protection: the same as panel in which mounted

• ACT 248

Input voltage 24 V~
 Output voltage 230 V~ 10W max.
 Components protected with Heatshrink Sleeve
 Installation in electrical control panels
 IP Protection: the same as panel in which mounted

4. INSTALLATION

Should it be necessary to use the converters described in this Data Sheet, they must be installed inside the electrical control panels on the site. When installing the cables it is essential to have sufficient terminals available on the terminal blocks for connecting the required converters.

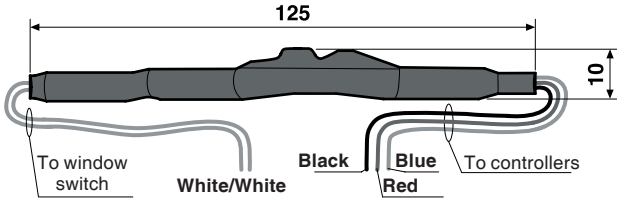
These accessories must be easily accessible to facilitate checks, maintenance and replacement if required.

Make the electrical connections carefully following the instructions on the labels. Should it be necessary to extend the cables, use cables of the appropriate cross-section (**NOT telephone or similar cables**).

Observe at all times the safety regulations in force.

5. ELECTRICAL DESCRIPTION & OVERALL DIMENSIONS

AIC 240 (cables = ø 0.75 x 250 mm approx.)



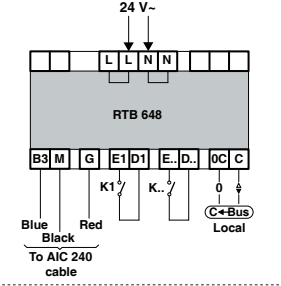
Connection to enabled controllers except RTB 044 / 144

- Cable:**
- Red = terminal **1**
 - Blue = terminal **16**
 - Black = terminal **15**

Connection for RTB 044 / 144

- Cable:**
- Red = terminal **11**
 - Blue = terminal **17**
 - Black = terminal **16**

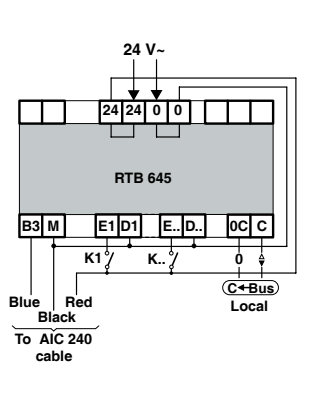
Connection for RTB 648 only



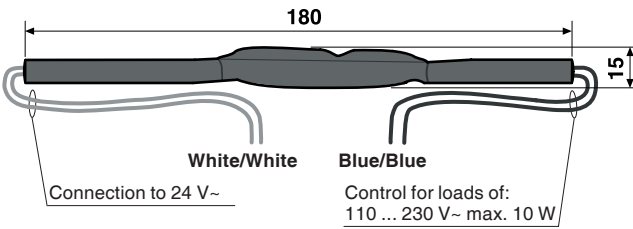
Connection for USZ 331

- Cable:**
- Red = terminal **24 V**
 - Blue = terminal **E..**
 - Black = terminal **D**

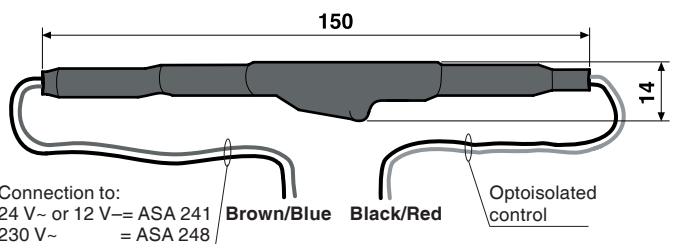
Connection for RTB 645 only



ACT 248 (cables = ø 0.75 x 250 mm approx.)



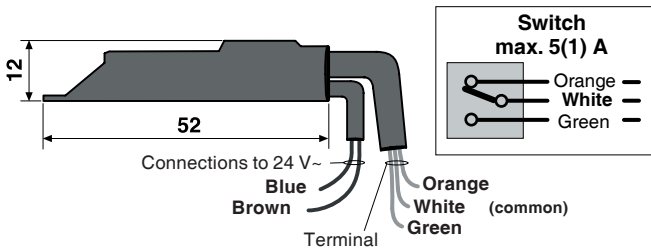
ASA 241 / 248 (cables = ø 0.75 x 250 mm approx)



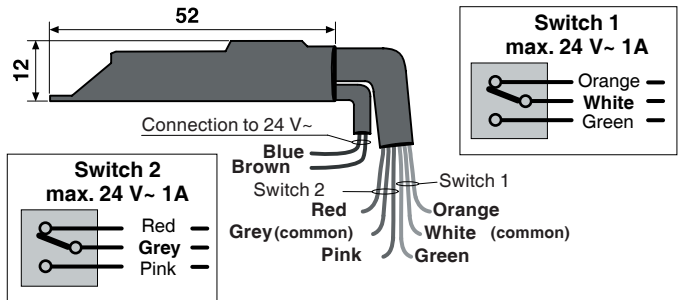
**BLACK cable to terminal (D)
RED cable to terminal (E1-E2-E..)
NB: Terminals (D - E1-E2-E..) of COSTER controllers**

ACR 245 / 242 (cables = ø 0,50 x 250 mm approx.)

ACR 245



ACR 242



Amendments to data sheet

Date	Revision No.	Page	Section	Details of amendments	Firmware version	Software version
20.11.06 MC		2	5. Description & overall dimensions	ASA cable; detail on connection to terminal (E) of controllers AIC cable; add wiring diagram for RTB 648 connection ASA 241/248 cable; adjust colour of cable from Black/Blue to Brown/Blue ACT cable amended description. Section 5 amended drawings of cables		≥ 0.98.2281
09.01.08 MC	01	2	5. Description & overall dimensions			
09.06.08 MC	02	2	5. Description & overall dimensions			
05.06.09 MC	03	1-2	2. Models available			



Head Office & Sales
Via San G.B. De La Salle, 4/a
20132 - Milano
Tel. +39 022722121
Fax +39 022593645
Orders
Fax +39 0227221239
Reg. Off. Central & Southern
Via S. Longanesi, 14
00146 - Roma
Tel. +39 065573330
Fax +39 065566517
Shipping
Via Gen. Treboldi, 190/192
25048 - Edolo (BS)
Tel. +39 0364773200
Tel. +39 0364773202
E-mail: info@coster.eu Web: www.coster.eu



D33326

