

WATERPROOF ROOM TEMPERATURE SENSORS

SAA Eng.



- **Sensing element NTC**
- **Measurement range:**
 - SAA 010 (0...100 °C)
 - SAA 001 (- 30...+ 40 °C)
- **Installation:**
 - on wall

1. APPLICATION

In combination with the appropriate instrumentation measure temperature in dwellings and industrial premises.

2. MODELS AVAILABLE

Code	Description	Setting range	Sensing element	Max distance with cable size:		
				1mm ²	1.5 mm ²	2.5 mm ²
SAA 010	In 45x80x35 waterproof wall-mount enclosure	0... 100 °C	NTC 10 kΩ	700 m	1000 m	2000 m
SAA 001	In 45x80x35 waterproof wall-mount enclosure	- 30... 40 °C	NTC 1 kΩ	350 m	500 m	1000 m

3. TECHNICAL DATA

Temperature sensor:			
Type	see table in 2 above	Materials:	
Time constant	1 min.	Enclosure	NYLON
Measurement range	see table in 2 above	Sensing element cover	nickel-plated brass
Protection	IP 54	Dimensions	see table 2 in above
Cable entry	PG 11	Installation	on wall
Sensing element cover	ø 7 x 60 mm	Construction standard	Italian Electr. Comm.(CEI)
		Weight	100 g

4. INSTALLATION

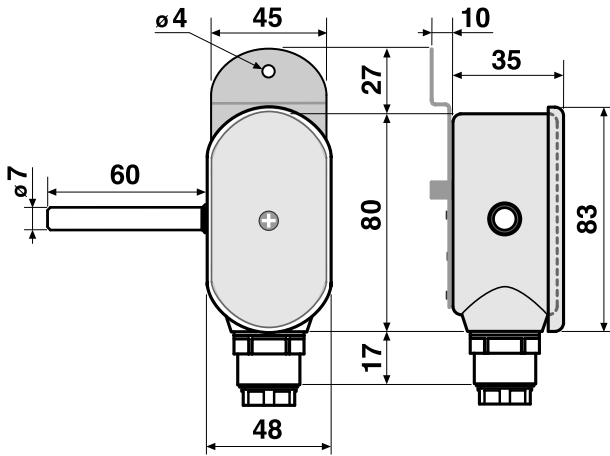
SAA must be installed at a height of 1.5 to 1.6 meters from the floor, on an internal wall, at a point which represents the average temperature of the space. It must be as far as possible from windows, doors and heat sources in general; corners and curtains must be avoided.

- Separate cover from enclosure by loosening the securing screw.
- Fix the enclosure to the wall using the hole provided in the sensor mounting plate.
- Carry out the electric wiring in strict accordance with the diagram and with safety regulations in force, using cables of the appropriate diameter (**NOT telephone or similar cables**).
- Replace the cover on the enclosure and tighten up the screw holding the two parts together.

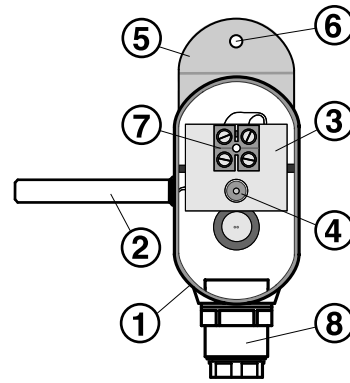
WARNING:

- **If the detector is connected using a bipolar cable, the distances given in table in 2 above must be strictly observed if correct functioning is not to be compromised.**
- **If several detectors are to be connected by a multicore cable, ALL the detectors must be of COSTER manufacture.**
- **For correct temperature measurement, the installation must be carried out following these instructions to the letter.**

5. OVERALL DIMENSIONS

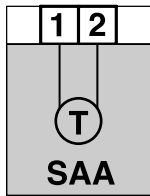


6. ENCLOSURE

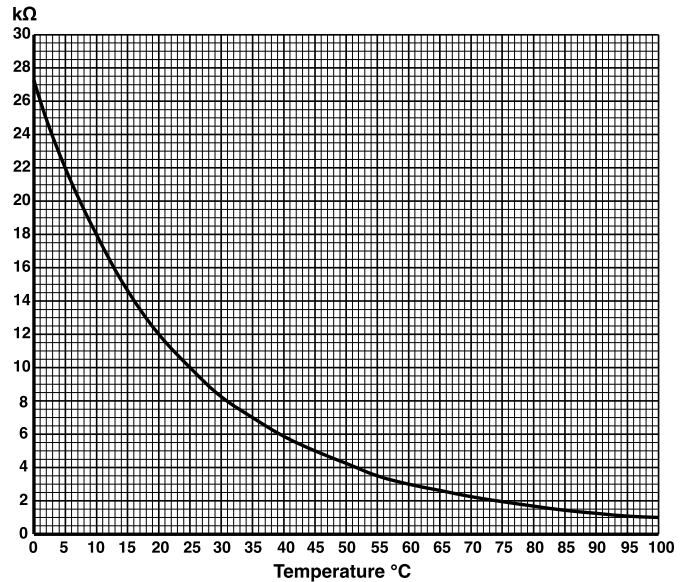


- 1 – Cover
- 2 – Sensing element cover
- 3 – Printed circuit
- 4 – Cover securing screw
- 5 – Sensor mounting plate
- 6 – Hole for fixing screw
- 7 – Connection terminals
- 8 – PG 11 cable entry

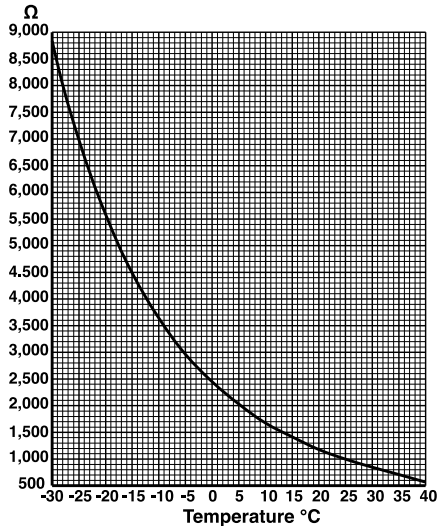
7. WIRING DIAGRAM



8. NTC 10 kΩ DETECTORS : TEMPERATURE/RESISTANCE



9. NTC 1 KΩ DETECTORS: TEMPERATURE/RESISTANCE



Amendments to version dated 09.11.01

Updated : MC 09.02.05

Page	Section	Updates
1	General	Replacement photograph
2	4 Installation	Amendment text (see connections part).
	5/6/7	Amendments to diagrams (dimensions, description & wiring diagram).
	8/9 graphs	Replacement graphs (previously unclear)



Head Office & Sales
 Via San G.B. De La Salle, 4/a Tel. +39 022722121
 20132 - Milan Fax +39 022593645

Reg. Off. Central & Southern
 Via S. Longanesi, 14 Tel. +39 065573330
 00146 - Roma Fax +39 065566517

Orders and Shipping
 Via Gen. Treboldi, 190/192 Tel. +39 0364773200
 25048 - Edolo (BS) Tel. +39 0364773202
 Fax +39 0364770016

E-mail: info@coster.info Web: www.coster.info



D 33260

