

REMOTE CONTROL

CDB 301 Eng.



- Remote control for changing programs in use
- 1 output with 6 programming options (inputs)
- DIN 3 housing

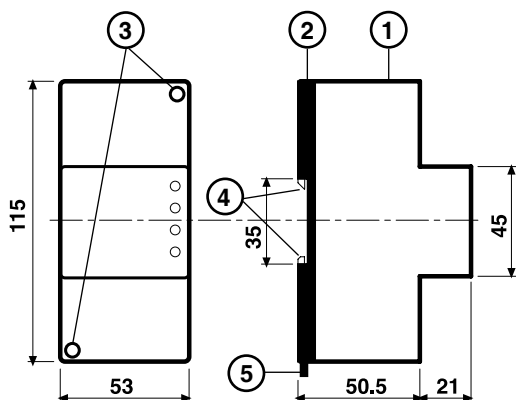
1. APPLICATION

Changing the program of a controller by means of remote switches.

2. OPERATION

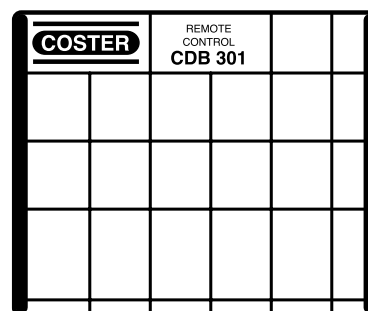
The input controls are On-Off switches. A switch or a switch operated by a relay controlled, for example, by a PC can be used.

3. OVERALL DIMENSIONS



- 1 – Protective cover for electronic components
- 2 – Base with transformer, relay and terminal blocks
- 3 – Screws for securing base and cover
- 4 – DIN rail securing elements
- 5 – DIN rail release lever

4. FACIA



5. TECHNICAL DATA

Protection	IP 40	Materials:	
Radio disturbances	VDE0875/0871	Base	NYLON
Vibration test	with 2g (DIN 40 046)	Cover	ABS
Construction standards	Italian Electrotech. Committee (CEI)	Ambient temperature:	
Housing	DIN 3E module	Operating	0...45 °C
Installation	on DIN 35 rail	Storage	-25...+60°C
Ambient humidity	Class F DIN 40040	Weight	0.100 kg

6. INSTALLATION

CDB 301 must be installed in a dry location that meets the ambient conditions given under 5. TECHNICAL DATA. If installed in a location classified as "Hazardous" it must be housed in a cabinet for electrical equipment constructed according to the regulations in force for the class of danger concerned. CDB 301 can be mounted on a DIN rail and housed in a standard DIN enclosure.

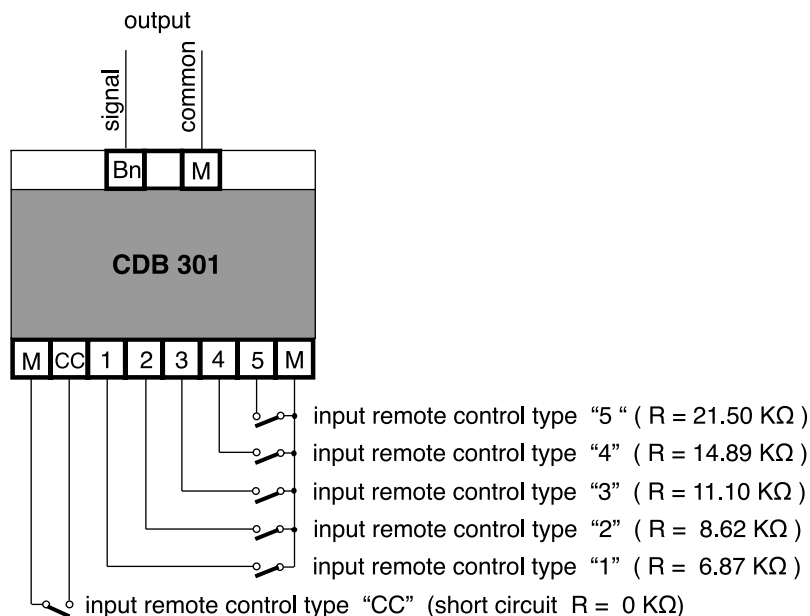
7. ELECTRICAL CONNECTIONS

Proceed as follows :

- Separate base and cover after having removed the securing screws.
- Mount the base on the DIN rail and check that the securing elements (3.4) anchor it securely.
- Make the electrical connections strictly in accordance with the diagram and with the safety regulations in force, using 1.5 mm² cables,
- Replace the cover on the base and secure it with the two screws (3.3) supplied.

You are advised not to insert more than two cables in a single terminal and, if necessary, to use an external terminal block.

8. WIRING DIAGRAM



9. EXAMPLE OF USE WITH DTC 618 CONTROLLER

By connecting CDB 301 remote control to DTC 618 temperature controller, you can control the following functions:

- INPUT "CC" closed: boiler "OFF", with priority over all the other internal or external functions
- INPUT "1" closed : not used
- INPUT "2" closed : boiler switched to "FROSPROT"
- INPUT "3" closed : boiler switched to room temperature "SETBACK 1"
- INPUT "4" closed : boiler switched to room temperature "NORMAL 1"
- INPUT "5" closed : boiler switched to fixed temperature with value "FLOW 1"

Nota : The control instruction "BOILER OFF" (CC) has priority over all the other programs and so when switch CC-M is closed, it does not matter if some other switch is closed.

All the other controls (2...5) are exclusive: if one is "CLOSED" all the others must be "OPEN", because obviously the controller cannot be ordered to perform different functions at the same time. If no switch is closed you leave unaltered the programming the controller is following at that moment.

MZ 31.03.03