

# DIFFERENTIAL PRESSURE SWITCH

## PDF 795 Eng.



- **Switch:**  
– 1 SPDT
- **Membrane:**  
– silicone
- **Range of use:**  
– 0.5...5.0 mbar (50...500 Pa)
- **Installation:**  
– vertically (connections facing downwards)

### 1. APPLICATION

For the measurement of the differential air pressure on conditioning and ventilation sites, with particular reference to ensuring the safety of such sites. It is also suitable for signalling the non-functioning of fans and the blockage of filters. It can be installed in spaces where there is polluted air and gas provided these are not corrosive or inflammable.

### 2. MODEL AVAILABLE

Code	Description	Setting range	Differential $\Delta p$	Maximum pressure	Equivalent measurement unit
<b>PDF 795</b>	Differential pressure switch for air	50...500 Pa	20 Pa $\pm$ 15%	5 kPa	<b>100 kPa = 10 mCA = 1 bar</b>

### 3. TECHNICAL DATA

Voltage-free output contacts: 1 microswitch	SPDT	Enclosure: cover transparent	trasparent PS
maximum switched voltage	250/24 V~	Base	PS
current	1.5 (0.4) A.	Flexible tube supplied:	
Membrane	silicone	Length	2 m
Range	see table (2)	Material	PVC
Differential for intervention	see table (2)	Installation	vertical – connections facing downwards
Operating temperature	- 30...+ 85 °C	Protection:	IP 54
Humidity (without condensation)	0...50% max.	Weight:	150 g

### 4. INSTALLATION

Install PDF 795 in a vertical position, ensuring that the tube connections (**AMP**) are, if possible, pointing downwards. If these connections (**AMP**) are pointing upwards or are horizontal the values will be distorted (about 200 Pa too high).

Tube connection **P1** = connection for high pressure or low depression.

Tube connection **P2** = connection for low pressure or high depression.

Remove the enclosure cover, loosening the fixing screws..

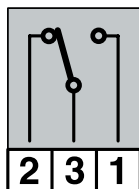
- Carry out the electric wiring paying careful attention to the wiring diagram and to the safety regulations in force, using cables of the appropriate diameter (**not telephone or similar cables**).
- Replace the cover on the enclosure and tighten up the securing screws; also, to ensure the seal, tighten up the cable entry gland appropriately.

**Warning:**

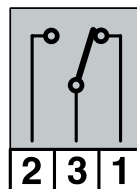
**PDF 795 is supplied with the following connection accessories:**

- 2 PVC attachments per channel.
- 2 meters of flexible PVC tube 6 mm diameter.
- 4 securing bolts for attaching to channel.

### 5. WIRING

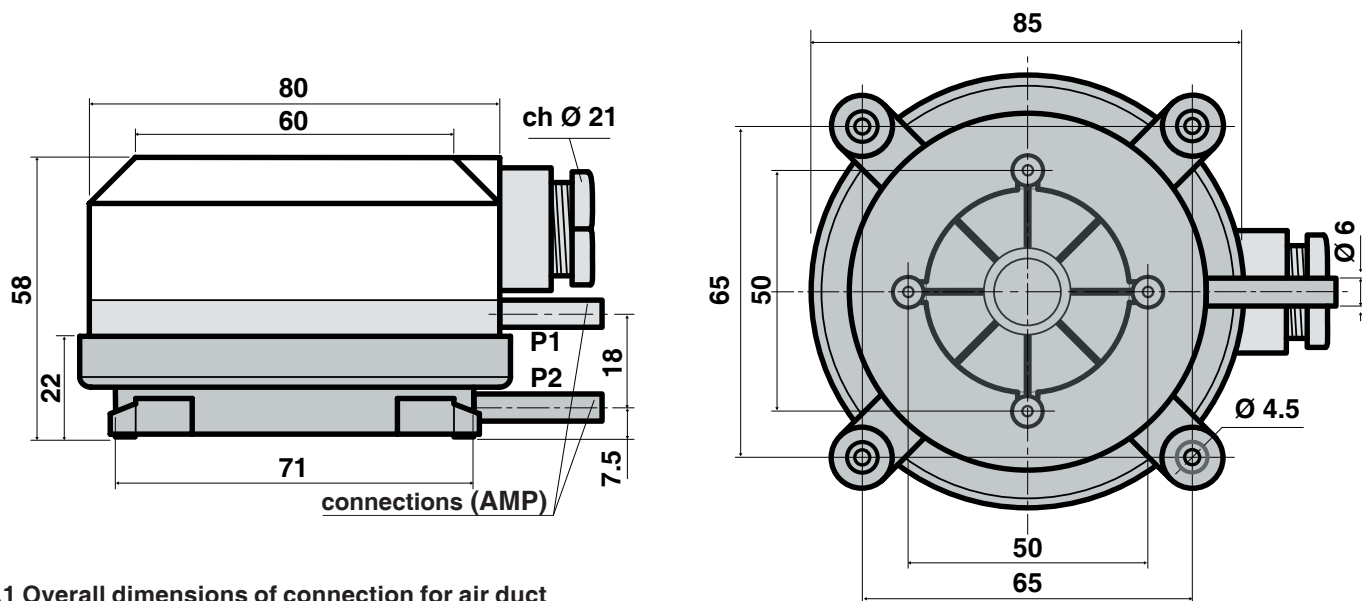


**Switch:**  
3 – 1 = CLOSED  
3 – 2 = OPEN  
Position of switch with pressure differential **above** value set

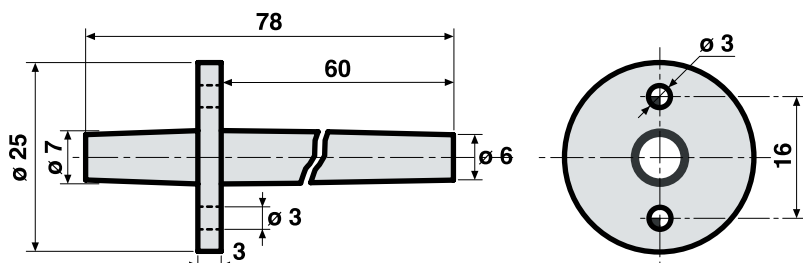


**Switch:**  
3 – 1 = CLOSED  
3 – 2 = OPEN  
Position of switch with pressure differential **below** value set

**6. OVERALL DIMENSIONS**



**6.1 Overall dimensions of connection for air duct  
(2 pieces supplied with device)**



**Amendments to data sheet**

Data	Revision No.	Page	Section	Amendment description
08.06.06 MC 03.02.09 MC	- <b>01</b>	All 1	General 5. Electrical connection	Make up of data sheet. Description of position of switch according to the differential pressure noted in respect of that set..



Head Office & Sales  
Via San G. B. De La Salle, 4/a  
20132 - Milano  
Tel. +39 022722121  
Fax +39 022593645  
Orders  
Fax +39 0227221239  
Reg. Off. Central & Southern  
Via S. Longanesi, 14  
00146 - Roma  
Tel. +39 065573330  
Fax +39 065566517  
Shipping  
Via Gen. Treboldi, 190/192  
25048 - Edolo (BS)  
Tel. +39 0364773200  
Tel. +39 0364773202  
E-mail: info@coster.eu  
Web: www.coster.eu



D 33312